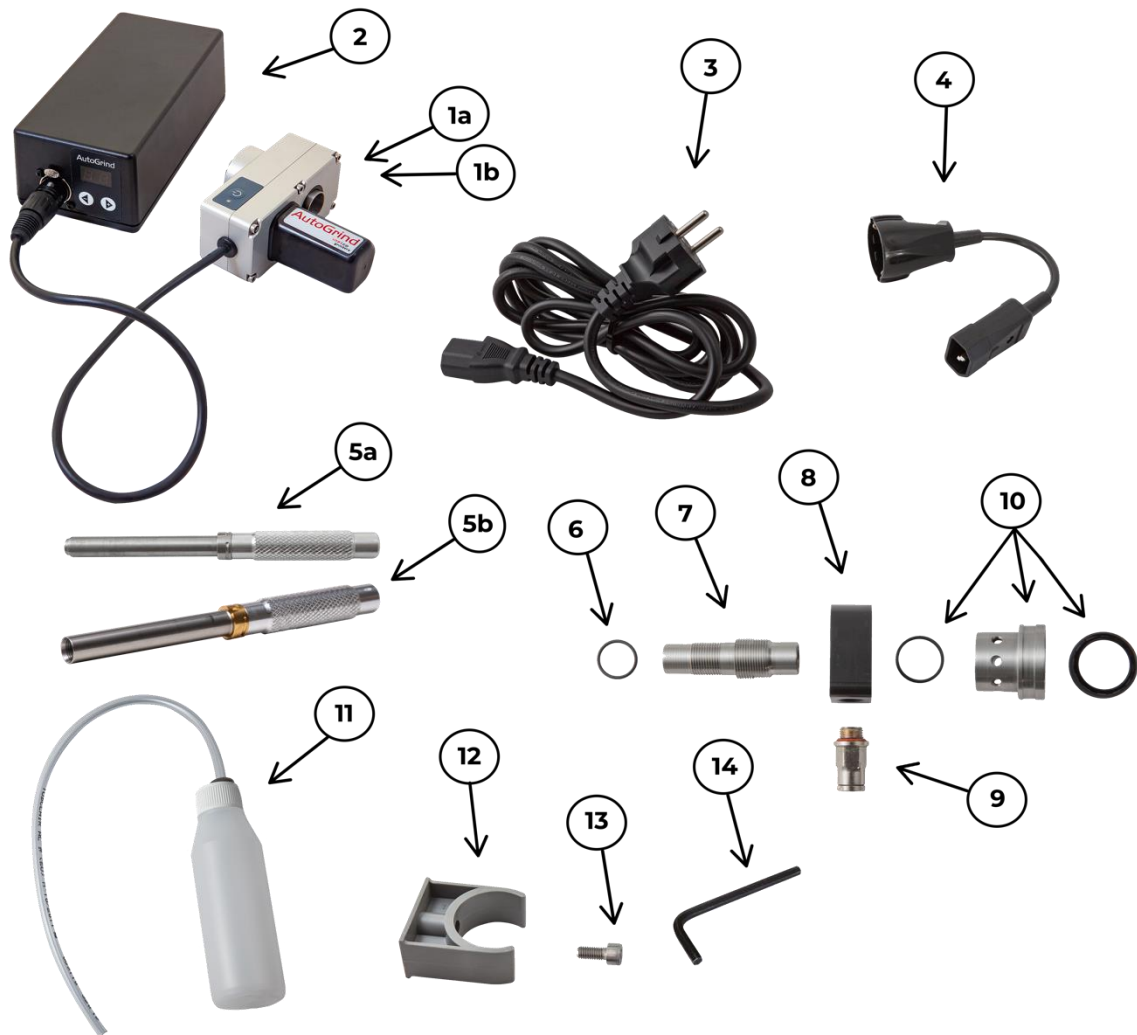
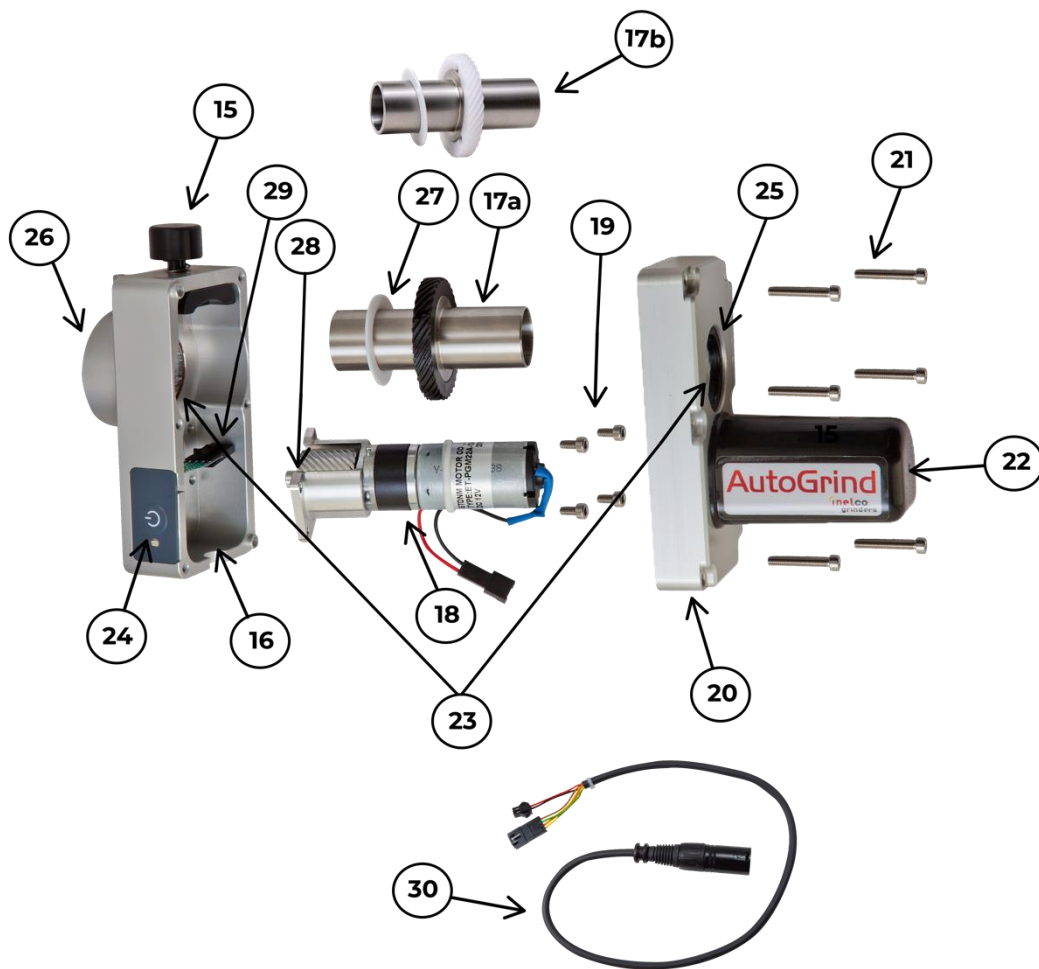


Exploded-view drawings of spare parts to AutoGrind-S Digital



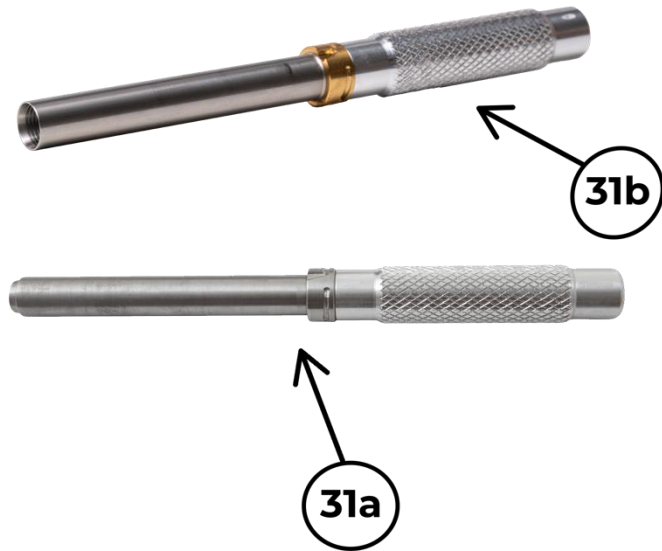
**AutoGrind-S Digital**

Pos.	Item No.	Description
1a	75551005	Grinding Module for AutoGrind-S
1b	75561005	Grinding Module for AutoGrind-S V3
2	75550006	Control box
3	74250014	Mains cable 3x1,0
4	74300014	Grinding cable male C14-Schuko female
5a	75551020	Electrode holder for AutoGrind-S, Ø 4,8 – 8,0 mm
5b	75561020	Electrode holder for AutoGrind-S, Ø 4,8 – 8,0 mm V3
6	44470316	O-ring Ø16,5 x 1,5
7	44551022	Stretching screw for mounting on Ultima-TIG-S
8	44550018	Drain ring
9	44492510	Pipe fitting
10	75550019	Tightening screw with drain incl. packing ring
11	75550030	Drain bottle set
12	44491215	Bottle holder
13	40310620	M6x14 hexagon screw
14	44510435	Hexagon key 3 mm



### Grinding chamber

Pos.	Item No.	Description
15	75550013	Blocking module for AutoGrind
16	44550000	Bottom grinding module AutoGrind
17a	75551012	Axle module AutoGrind
17b	75561012	Axle module AutoGrind V3
18	75550011	Motor module for AutoGrind
19	40310306	Allen screw M3x6
20	44550001	Top grinding module AutoGrind
21	40310320	Allen screw M3x20
22	44550002	Motorcap
23	44550020	Bearing AutoGrind
24	17110035	On/off button AutoGrind
25	44551300	Packing box AutoGrind
26	40110511	Screw M4x12
27	44550017	Teflon disc
28	44550021	Motor Bearing AutoGrind
29	74491429	Plug Foil Key female
30	75550010	Control cable



### Electrode holder for AutoGrind-S Digital

Pos.	Item No.	Description
31a	75550120	Electrode holder Ø 1,0 – 4,0mm
31b	75560120	Electrode holder Ø 1,0 – 4,0mm V3